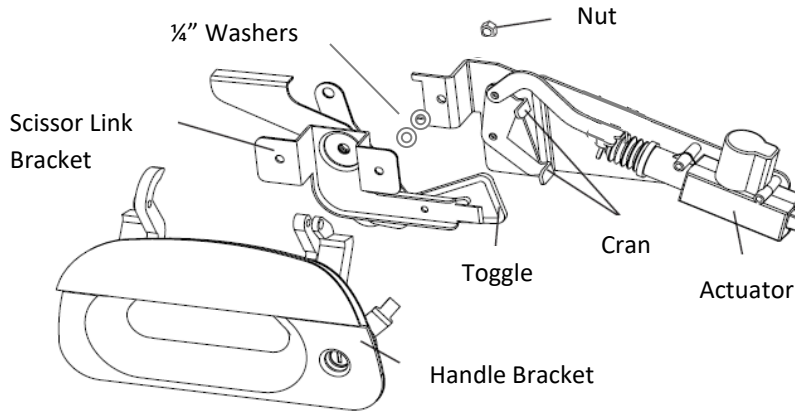


## POWER TAILGATE LOCK INSTRUCTIONS

### Layout – Rear View:



**Model PL8250**  
**1997-2016 Ford F150**  
**1999-2016 Ford F250/F350**  
**2001-2016 Ford Explorer Sport Trac**  
**2001-2015 Ford Raptor**  
**2006-2014 Lincoln Mark LT**  
***Works only with factory lock***

### Parts Included:

Power Tailgate Lock Unit  
Short Wiring Cable  
Long Wiring Cable  
Cable ties  
Tap Connectors  
2 – 1/4" Flat Washers

### Tools Required:

T-30 Torx Driver  
10MM Sockethead  
Phillips Screwdriver

### Installation:

1. Lower the tailgate and remove the access panel.
2. Release the passenger side rod end from the scissor link, remove the passenger side 10 MM nut holding the scissor link bracket. Install the 2 flat washers included in the kit onto the stud and install the lock bracket. Reinstall the nut and tighten. Make sure the two arms of the lock crank straddle the toggle link before you tighten the nut. Connect the rod end onto the scissor link.
3. Locate the wires to connect to. If the truck has 2 doors or access cab then the wire will be in either side kick panel. If the truck is a true 4 door (crew cab) then the wires can be located in the step plate.
  - a. 1997 – 2003 locate the Red/with Green stripe wire and the Pink(red)/with orange stripe wire.
  - b. 2004 – 2007 locate the Pink/with Black stripe wire and the Pink(red)/with orange stripe wire.
  - c. 2008 locate the Grey or Grey/with Tan stripe wire and the Purple or Purple/with Grey stripe wire.
  - d. 2009 and Up locate the Grey/with a Brown(tan) stripe wire and the Light Blue/with Green stripe wire on the drivers side. For the passenger side locate the Grey/with a Brown(tan) stripe wire and the Purple/with Grey stripe wire.
4. Feed the round bullet connectors on the end of the short wiring cable into a drain hole at the bottom of the tailgate and up to the power tailgate lock. Connect them to the wires of the power tailgate lock.
5. Route the other end of the short cable to be located between the bumper and the truck bed.
6. Connect the short wire harness to the long wire harness. Locate the connector so that you can unplug the two if you need to remove the tailgate. Coil and tie the extra length of the short wiring harness inside the tailgate. Don't attach it to the truck.
7. Route the long wire harness along the frame rail and the existing wiring on the driver's side of the truck. Use cable ties to attach the harness to the existing wiring underneath the truck. Follow the existing wiring under the cab and up the firewall to the grommet at the hood-release cable.
8. Pull the wires through the grommet and lead them to the of the location of the wire found in Step 3.
9. Connect the long wiring harness wires to the factory wires using the tap connectors and test the system. Lock and unlock the doors using the power door lock switch. The two crank arms should flip the toggle link up and down to lock and unlock the scissor link. If the lock operates the oppisite of the doors, switch the two leads at the bullet connectors off the actuator.
10. The sytem is now fully installed. Perform a final check and make sure lock functions properly. If everything works, reinstall the access panel.

## LIMITED WARRANTY TERMS AND CONDITIONS

- (1) **Installation.** Pop & Lock™, LLC (and Pop & Lock™ Corporation) is not responsible for installing the Pop & Lock™ or for the harm suffered by any person as a result installing it.
- (2) **Warranties.**
- Customer acknowledges that it is unreasonable to believe that any device whatever will prevent a theft in the case of every attempt and that the most that can be expected from a so-called anti-theft or security device is that it will deter many thieves.
  - POP & LOCK™ LLC. (and Pop & Lock™ Corporation) MAKES, AND CUSTOMER RECEIVES, NO WARRANTY, EXPRESSED OR IMPLIED, EXCEPT THE WARRANTIES OF TITLE TO THE POP & LOCK™ AND THEIR MERCHANTABILITY, PARTICULARLY NO WARRANTY OF FITNESS FOR A PARTICULAR USE OR PURPOSE OR AGAINST INFRINGEMENT.**
  - As Customer's only remedy, Pop & Lock™, LLC (and Pop & Lock™ Corporation) will repair or replace, at its option and without charge, any lock that is defective in material or workmanship when received by Customer and is returned to Pop & Lock™ LLC (and Pop & Lock™ Corporation), FOB Pop & Lock™ Corporation's offices, within one
    - year after it's receipt by the Customer. Pop & Lock LLC will ship all replacement, or repaired, Locks to Customer, FOB Pop & Lock™'s shipping point.
  - Factory support is only available for Pop & Lock™ products purchased as new through an Authorized Pop & Lock™ dealer.  
***Please Note: Pop & Lock™ Products purchased on auction sites such as Amazon, Ebay and Craigslist, to name a few, will not be covered under factory warranty under any circumstance. Pop & Lock™, LLC (and Pop & Lock™ Corporation) is unable to verify whether products sold through Auction Sites are new, used, or refurbished, and as such, Pop & Lock, LLC (and Pop & Lock™ Corporation) is unable to warranty such purchases. Pop & Lock, LLC advises using extreme caution when buying through auction sites as you'll be doing so at your own risk.***
- (3) **No Liability.** Pop & Lock™ Corporation is not liable for any loss or damage claimed by Customer or any third person to have been suffered or incurred as a result or, or related to, the Locks purchased under this Agreement, regardless of the circumstances or form of action, except any bodily injury or death for which Pop & Lock™ is liable under products-liability law. Without limiting the generality of the foregoing, in no event will Pop & Lock™ LLC be liable to Customer for any indirect, special, or consequential damages, regardless of the circumstances or the cause of action, particularly not for the value of a vehicle, or any other money damages in the event that a tailgate is stolen either notwithstanding the use of a Pop & Lock™ or when it has been returned for repair or replacement.

## END OF TERMS AND CONDITIONS

**POP & LOCK LLC 1271 CONTRACT DRIVE GREEN BAY, WI USA 54304**

Additional Install Instructions and answers to technical questions can be found on our website at [www.popandlock.net](http://www.popandlock.net) or by calling

**Technical Support 1-800-342-5911 option 1  
Monday – Friday 8:30am to 4:30pm CST**

---

**Pop and Lock's limited warranty expires one (1) year after date of purchase.**

*Proof of purchase is required for warranty claims. Please submit a scanned copy or electronic image/photo of your receipt through any of the following methods:*

- E-mail: [technicalsupport@popandlock.net](mailto:technicalsupport@popandlock.net)
- Fax: 855-491-5911
- Mail: 1271 Contract Ave, Green Bay, Wisconsin (USA) 54304

*Please be sure to include:*

- Name, address and phone number
- Model and year of truck
- Model/Part number of the lock
- Brief description of the problem

